

Room Technical Specifications

Room Capacities (may be reduced based on layout)

Room Layout	Main Hall	Assembly Room	Old Library	Council Chamber	Plowman Room	St Aldates Room	Panel Room	Jury Room	Judges Room	Court Room	Barristers Room	Clerks Room	Long Room	The Gallery
General capacity	400	200	120	105*	18	22	18	12	16	43*	16	14	70	60
Presentations	400	200	120	105*		40	30		20	43*			70	
Wedding ceremony	400	180	120			40								
Seated meals	300	140	80											
Dinner dances	260	110												
Balcony	242*									50*				

*Fixed seating

Lighting, Sound and Power

Lighting controls in the room	No	No	Yes	No	Yes	Yes	Yes	Yes	Yes	Yes	Yes	Yes	Yes	Yes	
Lighting dimmer	No	No	No	No	No	No	No	No	No	No	No	No	No	No	
Windows	Yes	Yes	Yes	Yes	Yes	Yes	Yes	Yes	Yes	Yes	Yes	Yes	Yes	Yes	
Sound System	Yes	Yes	Yes	Yes	No	No	No	No	No	No	No	No	Yes	No	
No. 13 amp outlets	18	18	40	3	4	2	2	1	5	7	12	12	24	21	
3 Phase available (63 amp)	Yes														
Internet Connection														Yes ^(Wireless)	Yes ^(Wireless)

Room dimensions

Links to pages below

[Main Hall](#)
 [Assembly Room](#)
 [Old Library](#)
 [Council Chamber](#)
 [Plowman Room](#)
 [St Aldates Room](#)
 [Panel Room](#)
 [Jury Room](#)
 [Judges Room](#)
 [Court Room](#)
 [Barristers Room](#)
 [Clerks Room](#)
 [Long Room](#)
 [The Gallery](#)

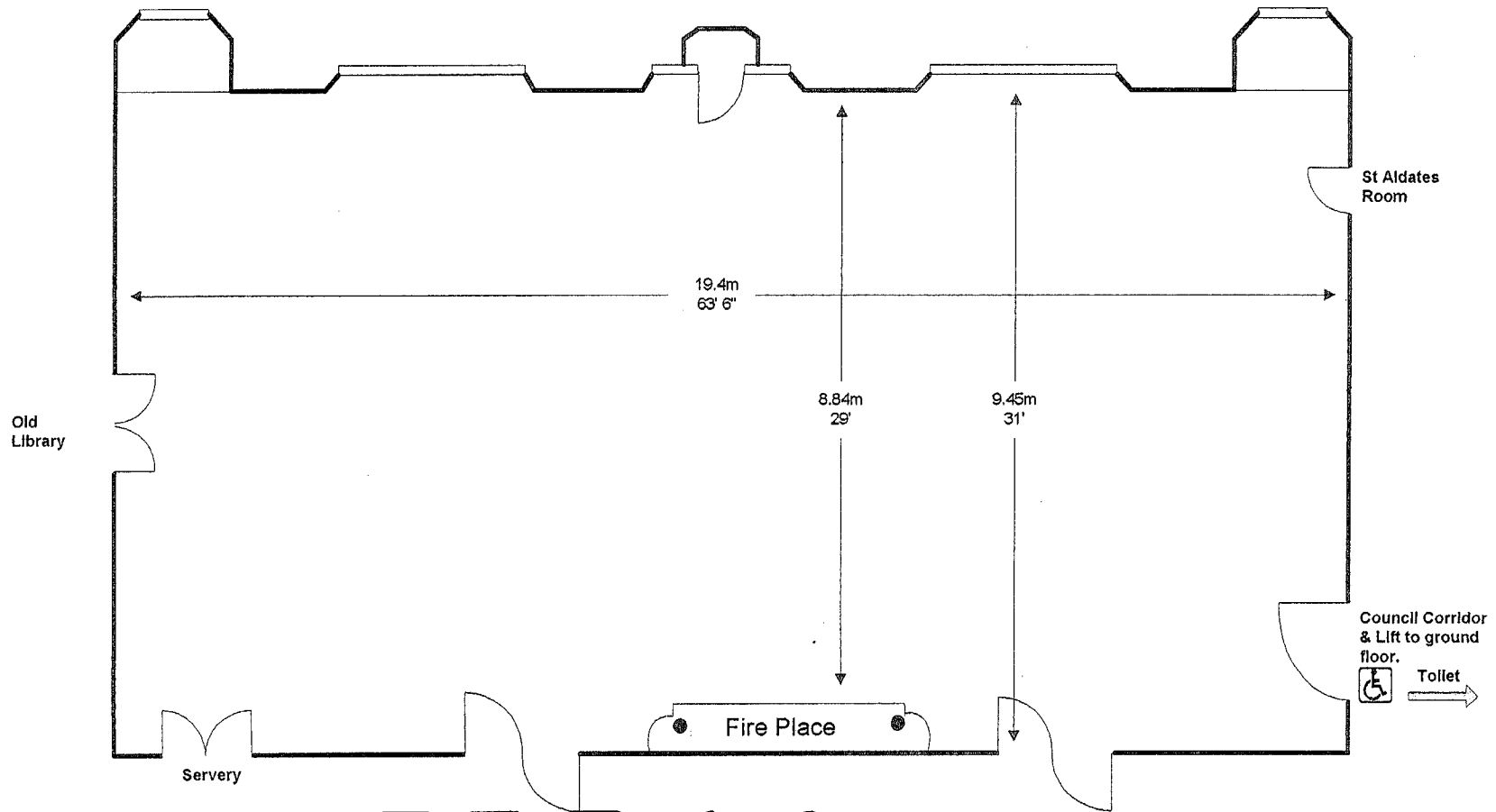
Door

Width m	1.55	1.4	1.4	1.55	0.83	1.1	1.03	0.85	0.97	0.85	0.85	0.72	1.5	2.3
Height m	2.4	2.29	2.29	2.4	2.03	2.07	2.29	1.89	1.89	1.89	1.89	1.89	1.98	1.8

Access

All rooms are accessible to persons with mobility difficulties via the Town Hall north entrance and lift. (Lift width 0.8m).

The Jury, Judges, Court, Barristers & Clerks Rooms can be accessed by a chair lift in a corridor.



Room Information:



Good Access



Max permitted under PEL 2



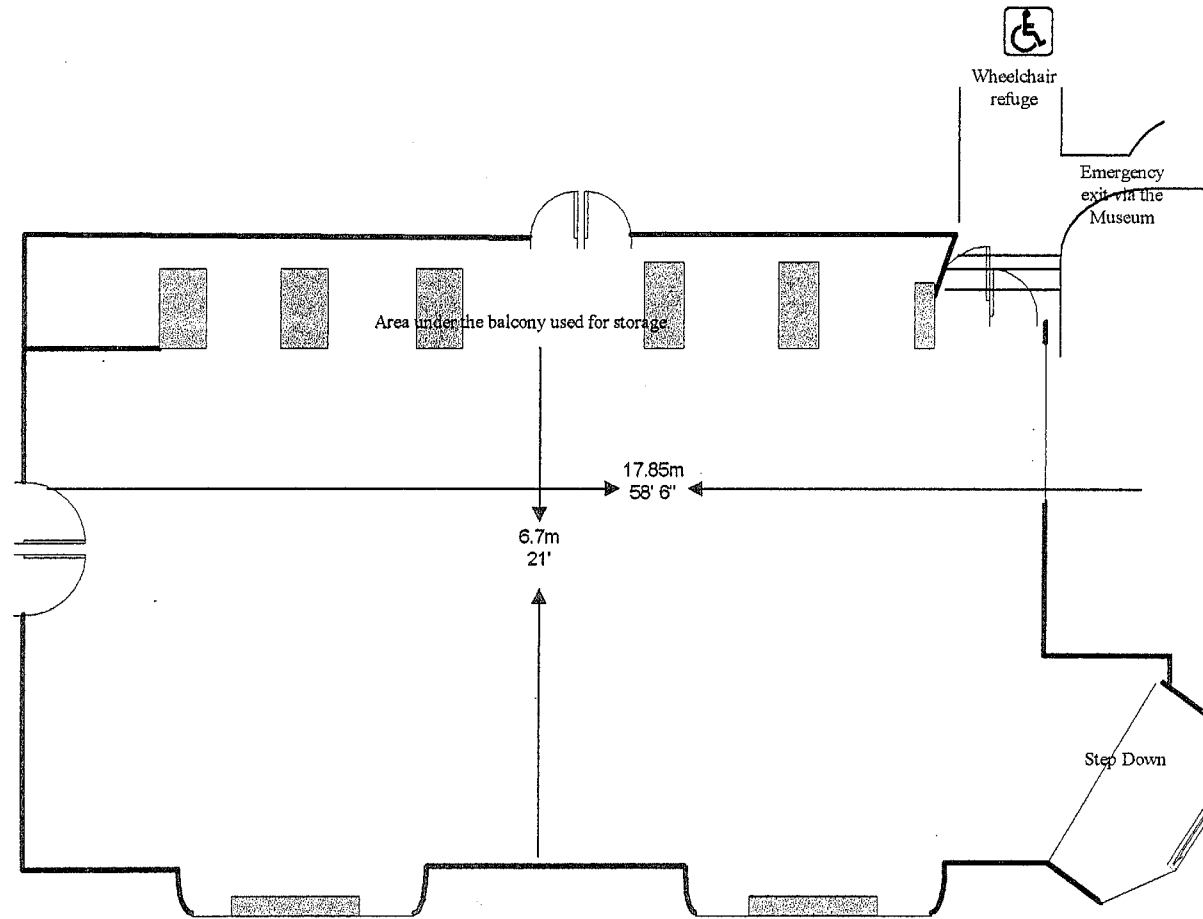
01865 252205
This service available by prior arrangement



Public address and loop system available by prior arrangement



The Assembly Room



Room Information:



Good Access



01865
252635



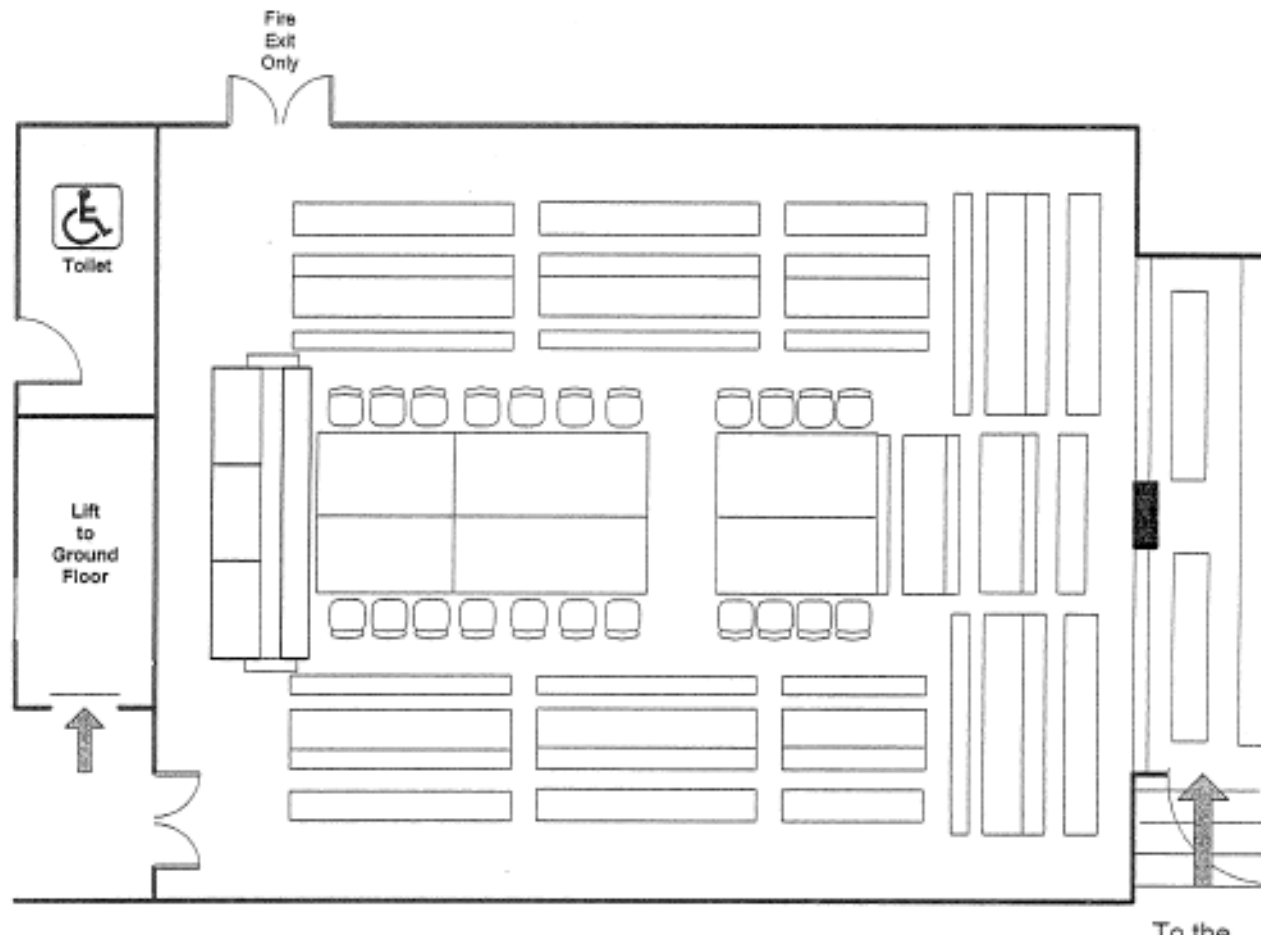
40 floor
mounted 13
amp power
outlets



Voice
enhancement
and loop
system
available by
prior
arrangement.

[Back to top page](#)

The Old Library



Room Information:



Access is Restricted due to fixed seating



No Catering in the Council Chamber



No access to the public gallery enhancement from the Chamber



No access to the public gallery enhancement and loop system

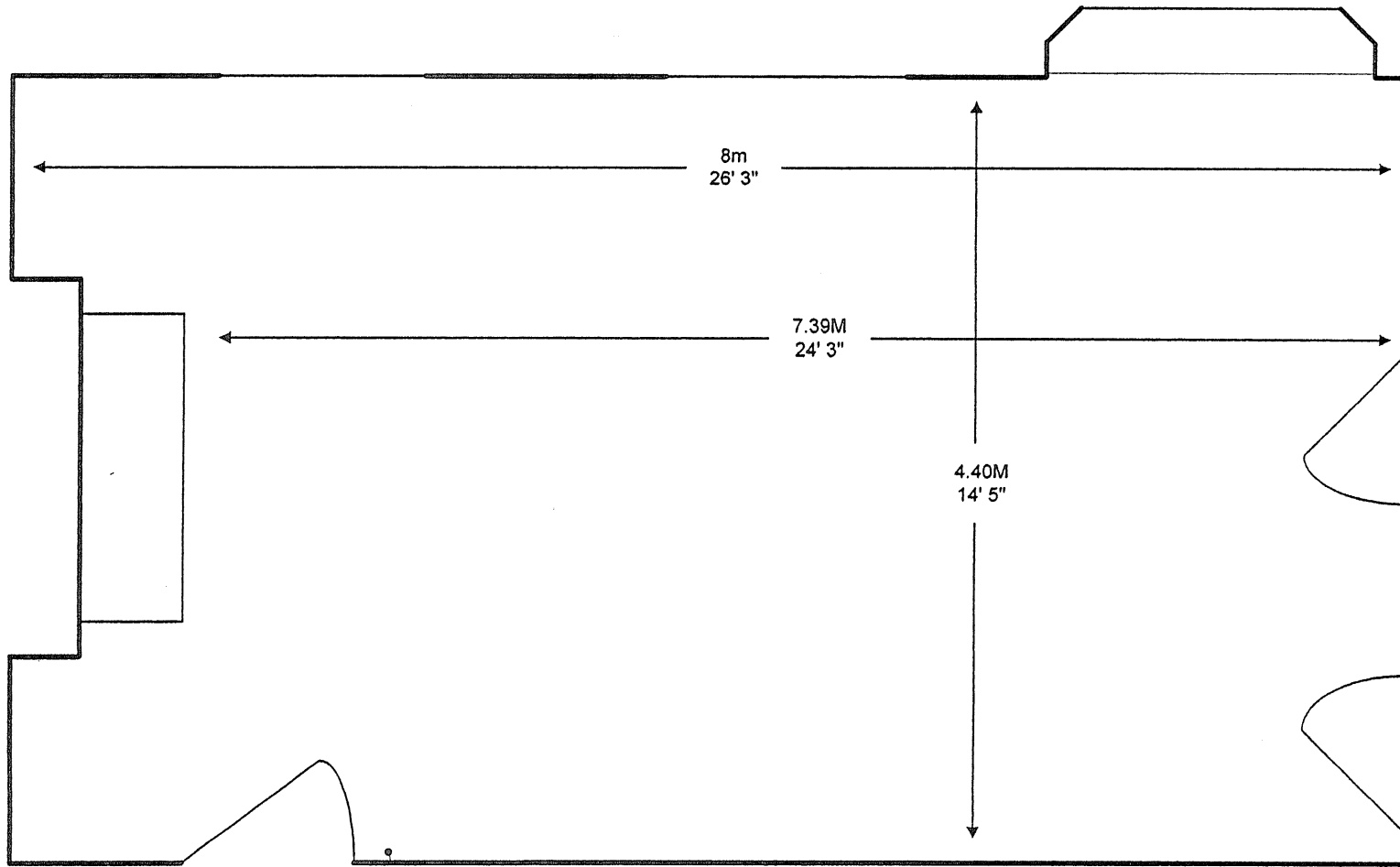


01885 252583

To the Public Gallery

[Back to top page](#)

The Council Chamber



Room
Information



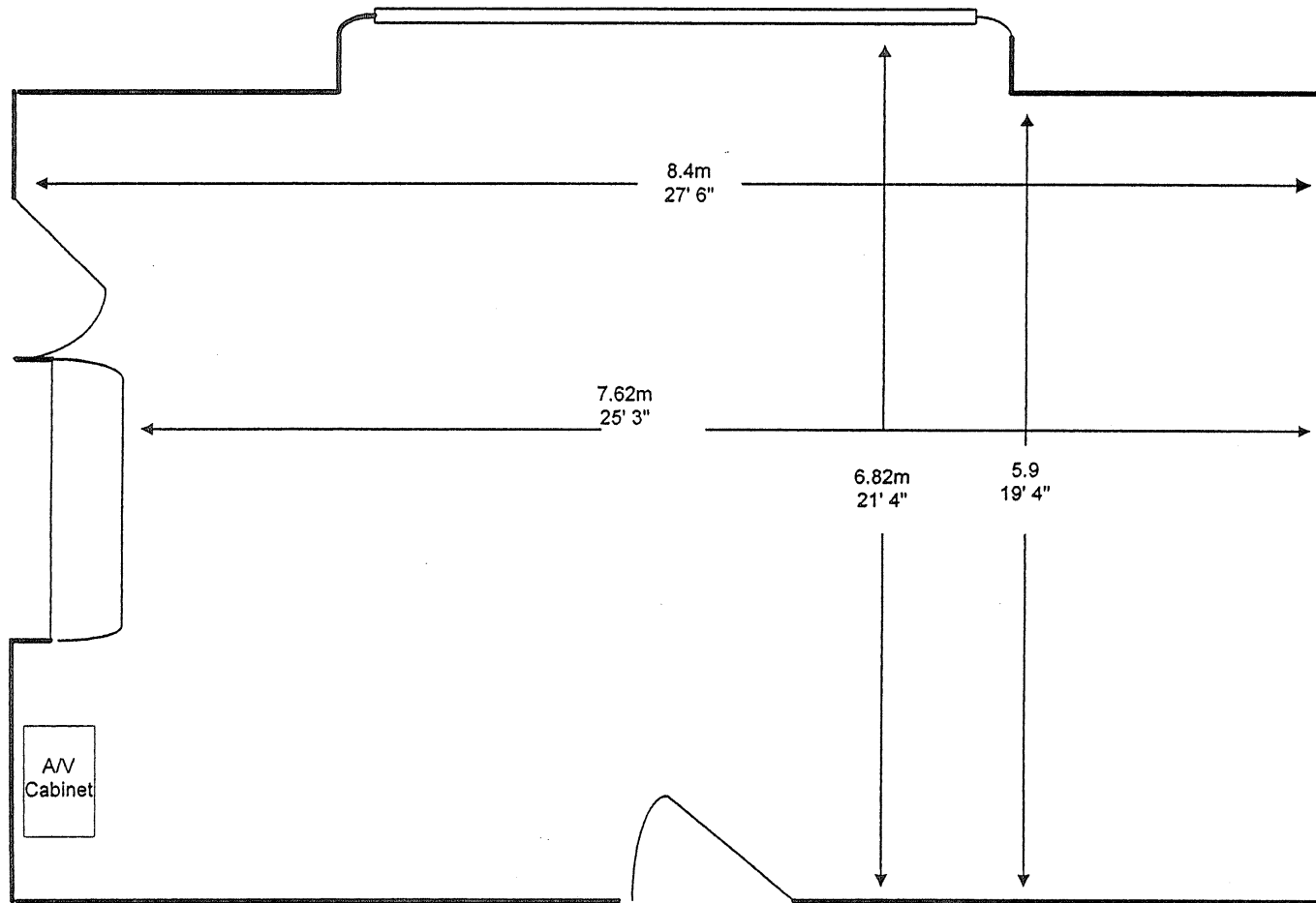
Accessible



Oxford
(01865)
252584

[Back to top page](#)

The Plowman Room



Room Information:



Easy access from lift opposite room



Toilet opposite room



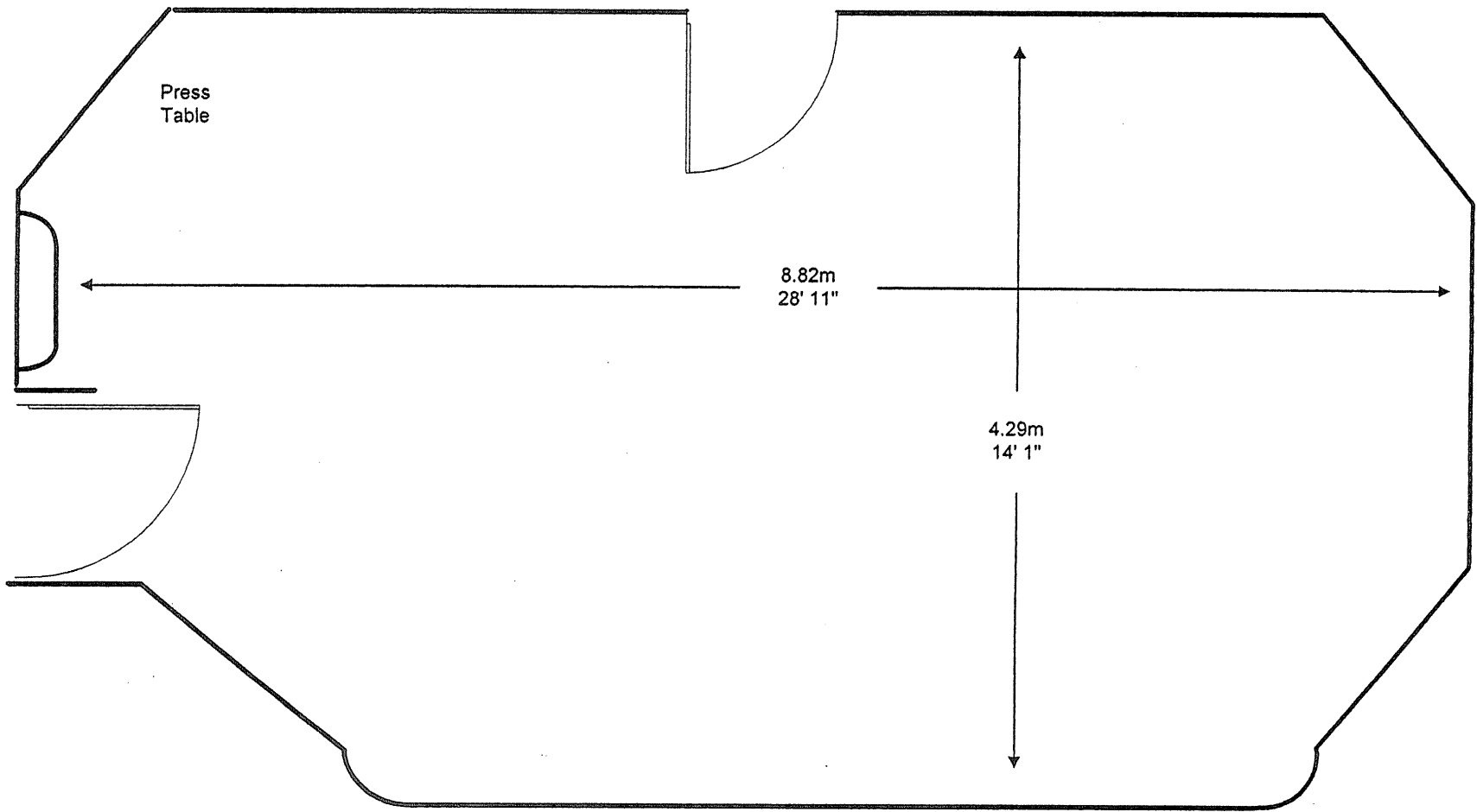
Conference and loop system available by prior arrangement



01865 252210

[Back to top page](#)

The St Aldates Room



Room Information:



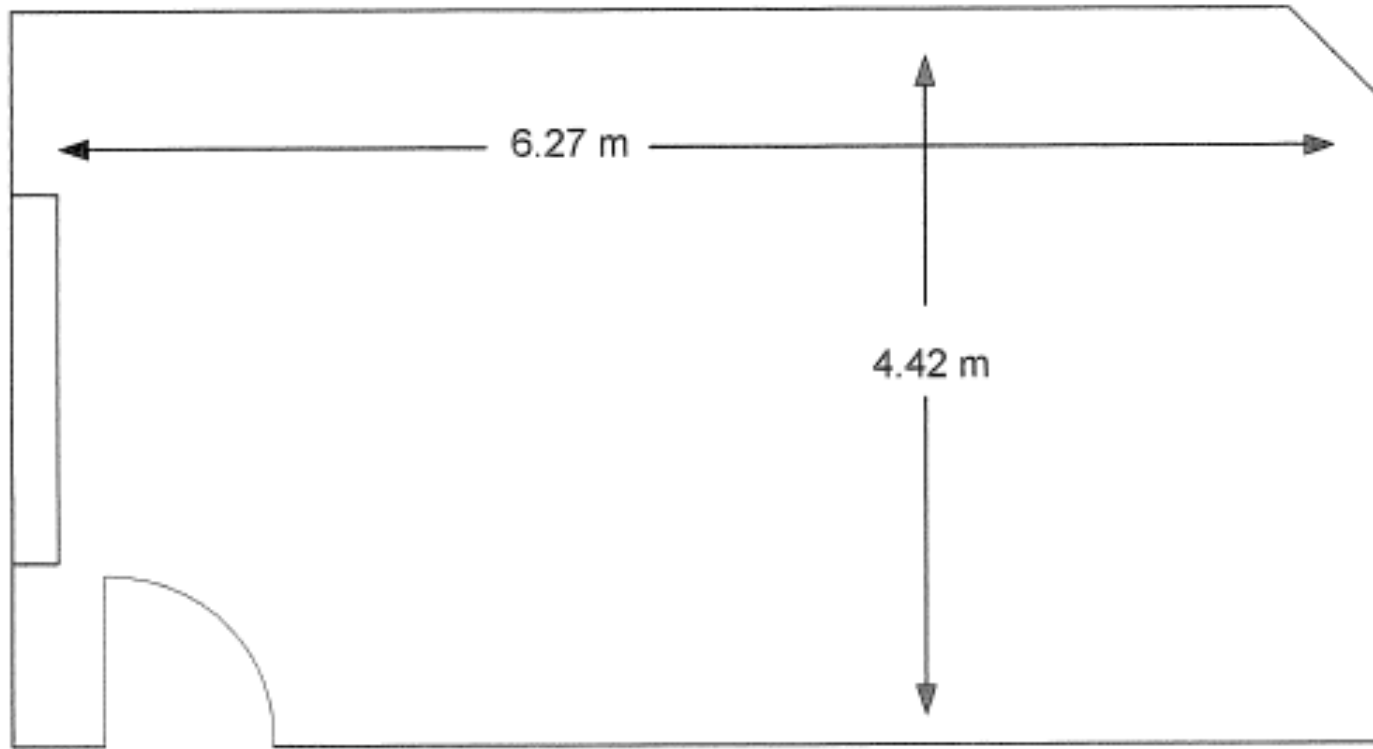
Accessible



01865
252206

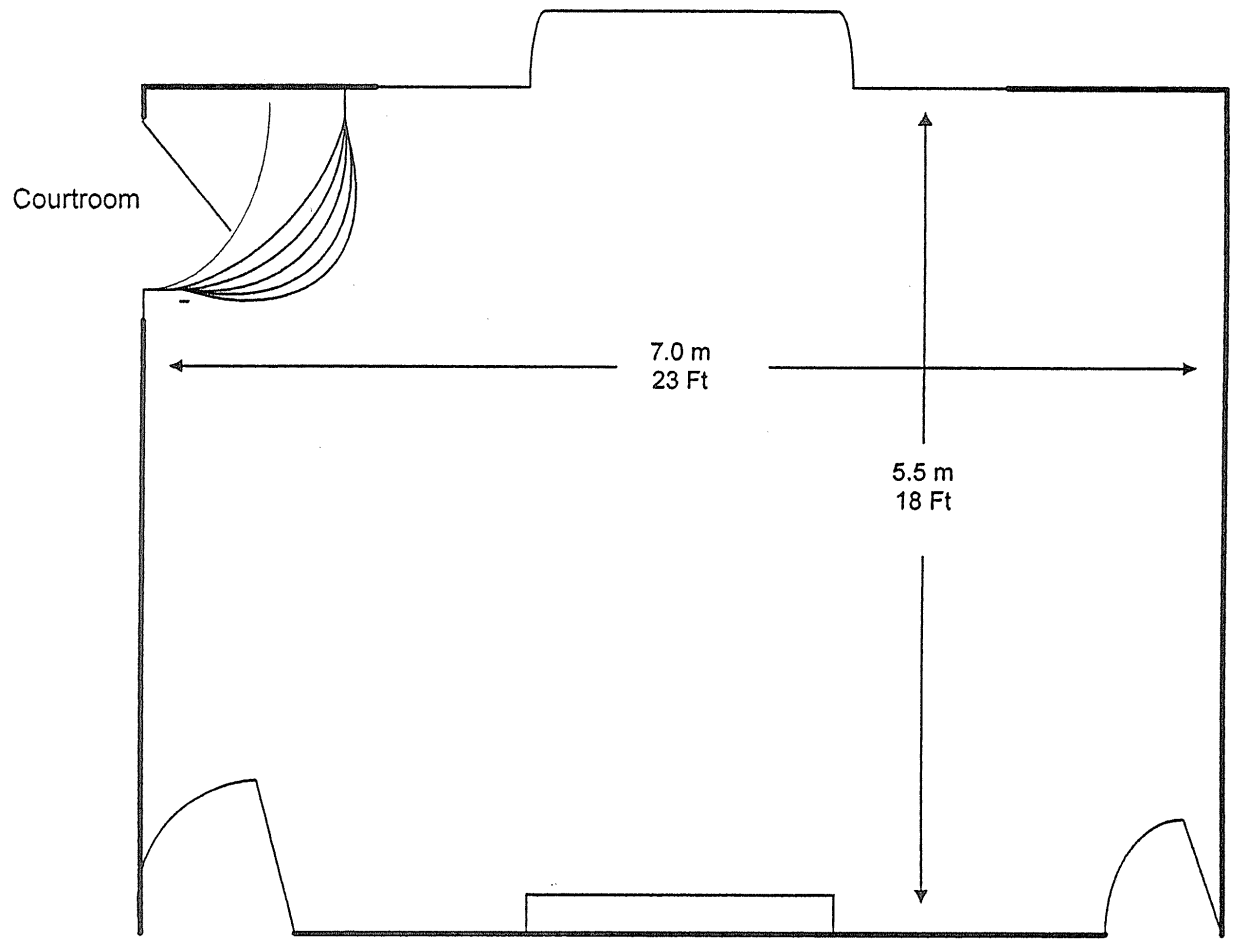
[Back to top page](#)

The Panel Room



[Back to top page](#)

The Jury Room



Room Information



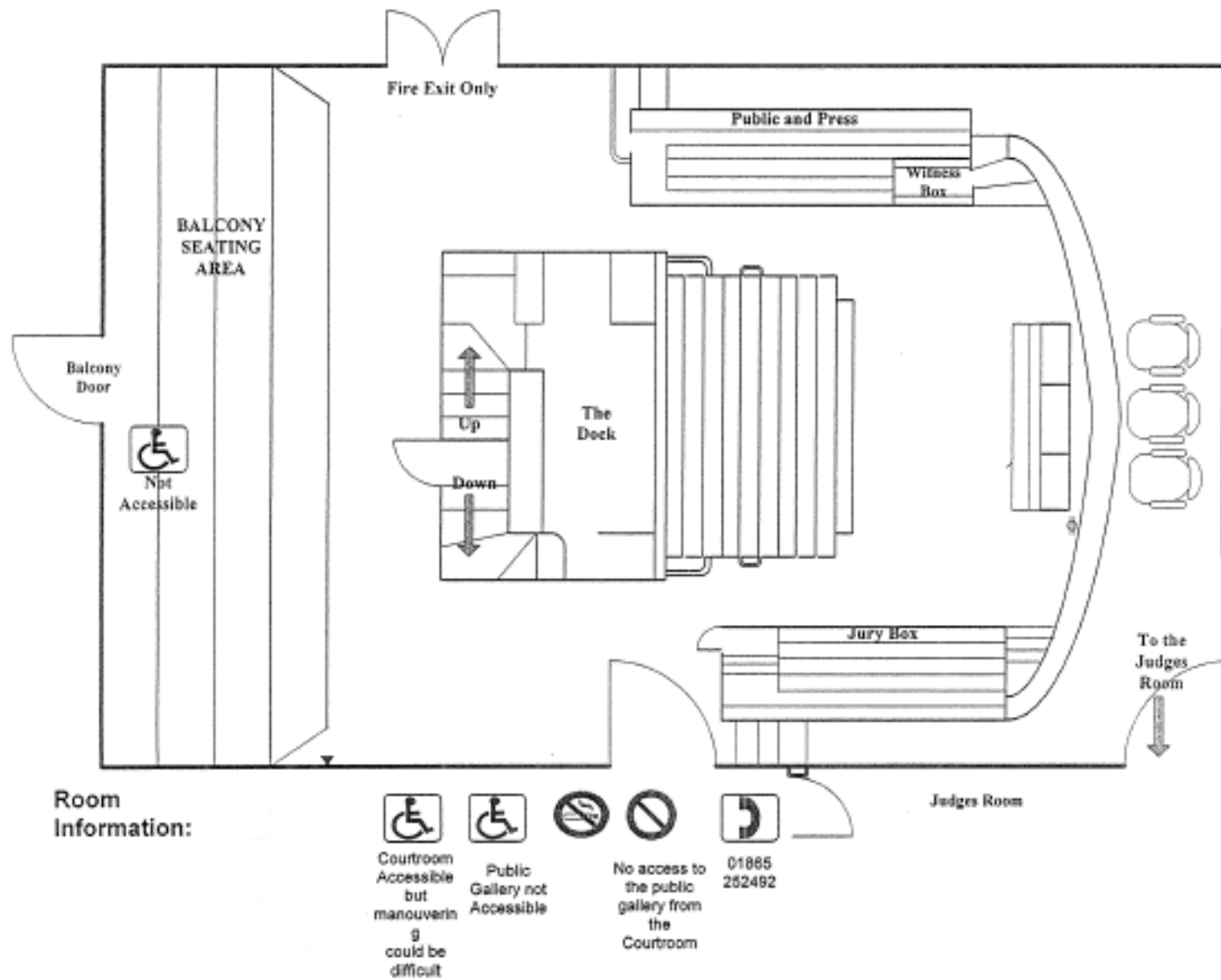
Accessible via a wheelchair lift. Staff assistance necessary

Oxford (01865) 252599

Store Room

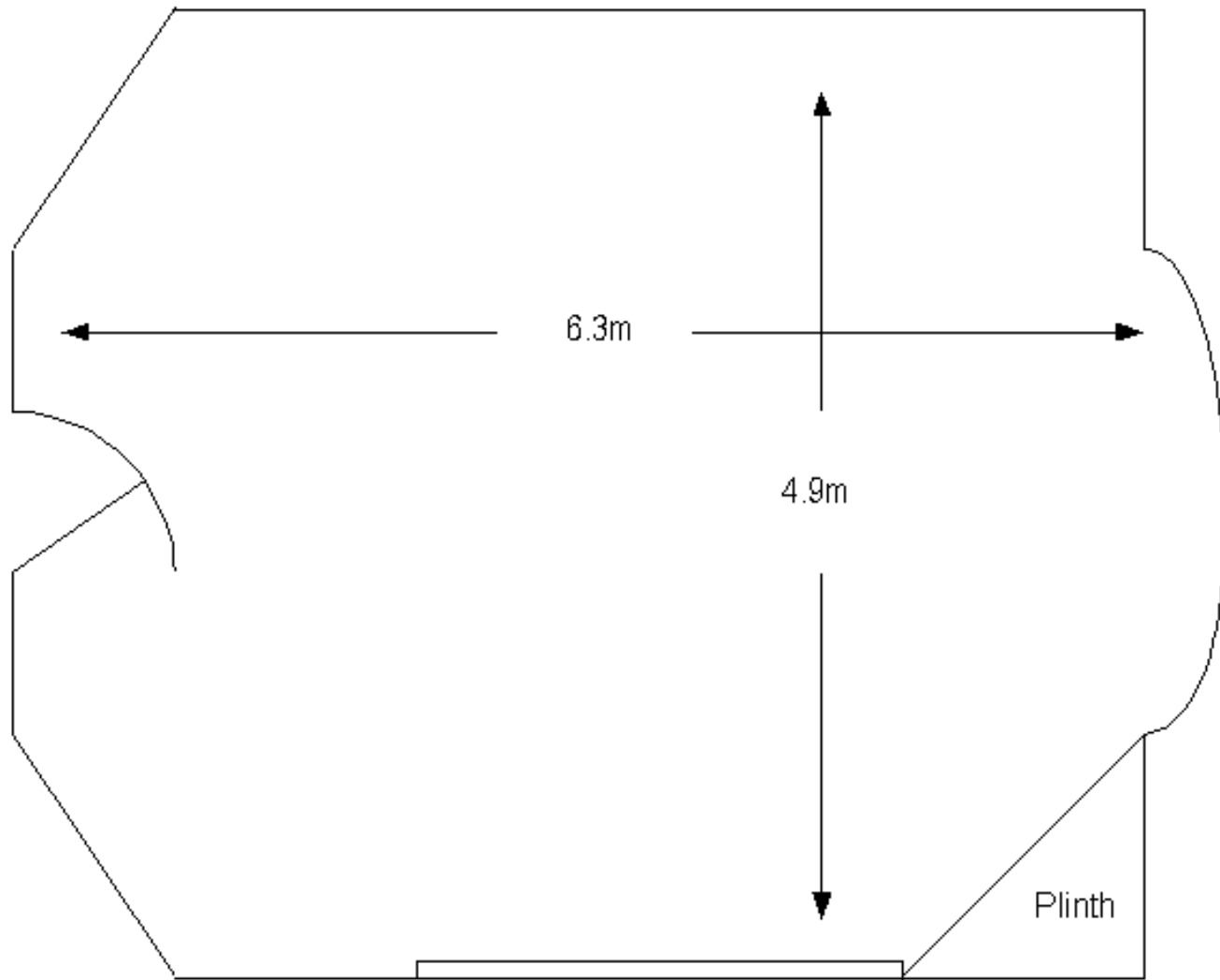
[Back to top page](#)

The Judges Room



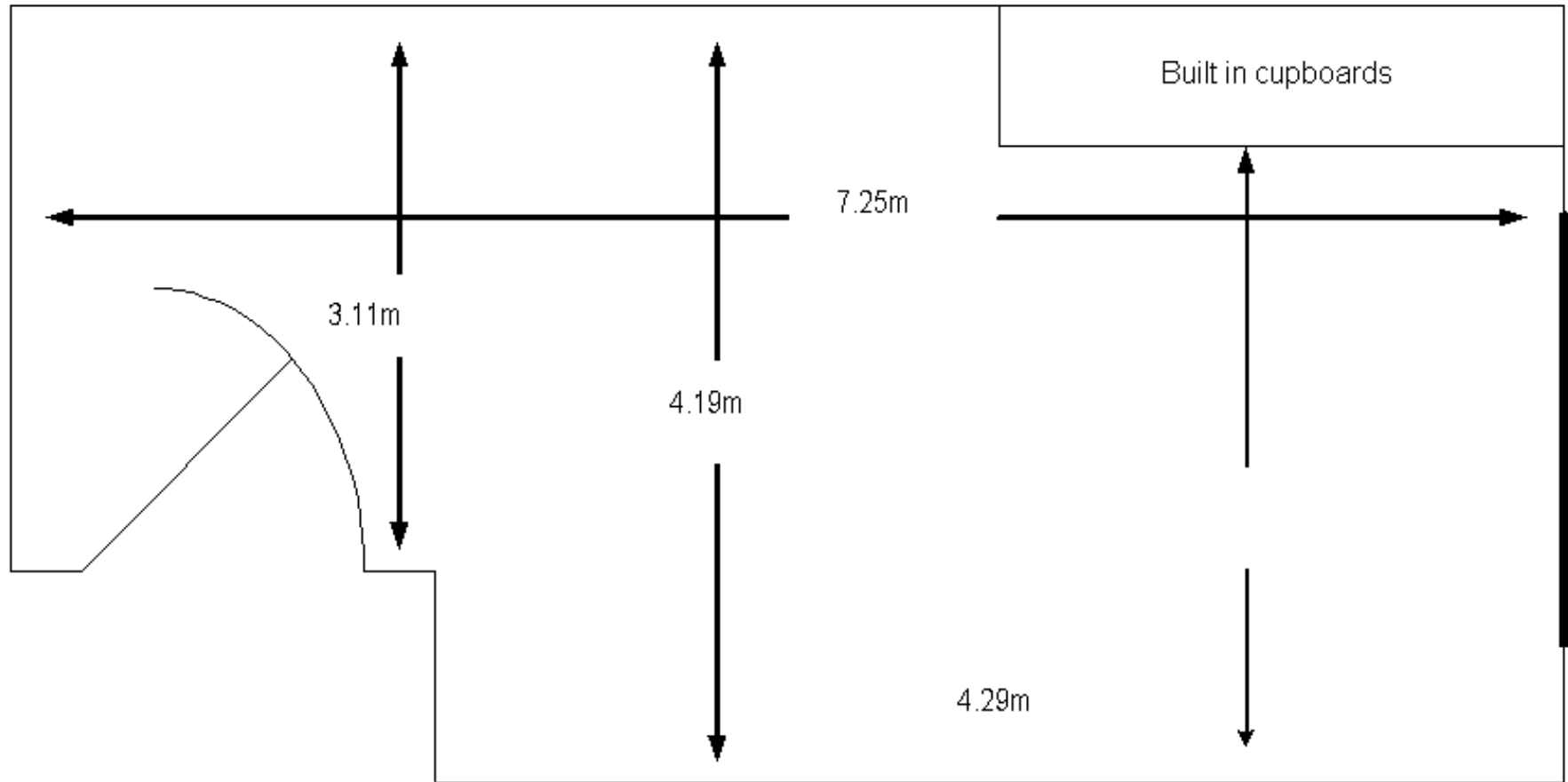
[Back to top page](#)

The Court Room



[Back to top page](#)

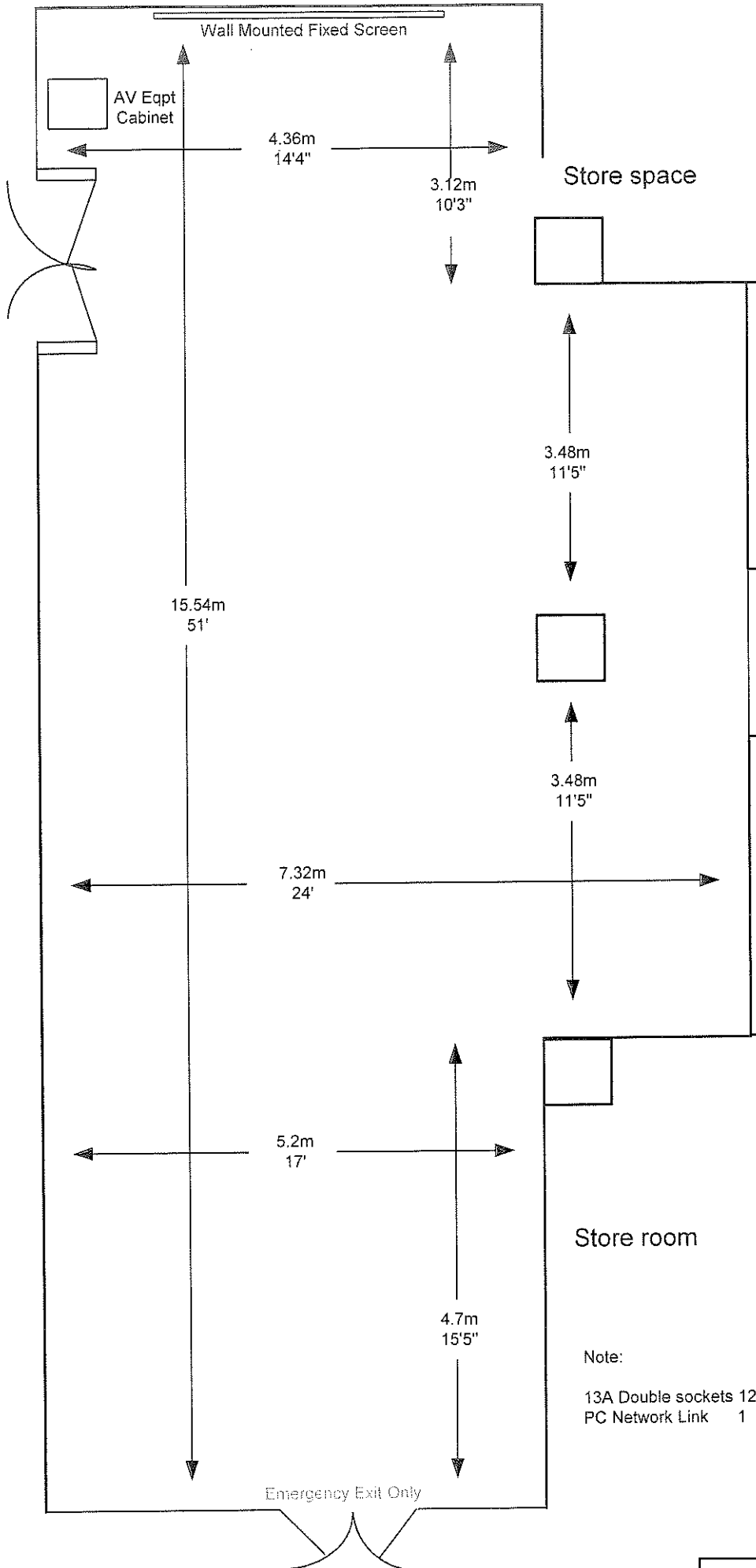
The Barristers Room



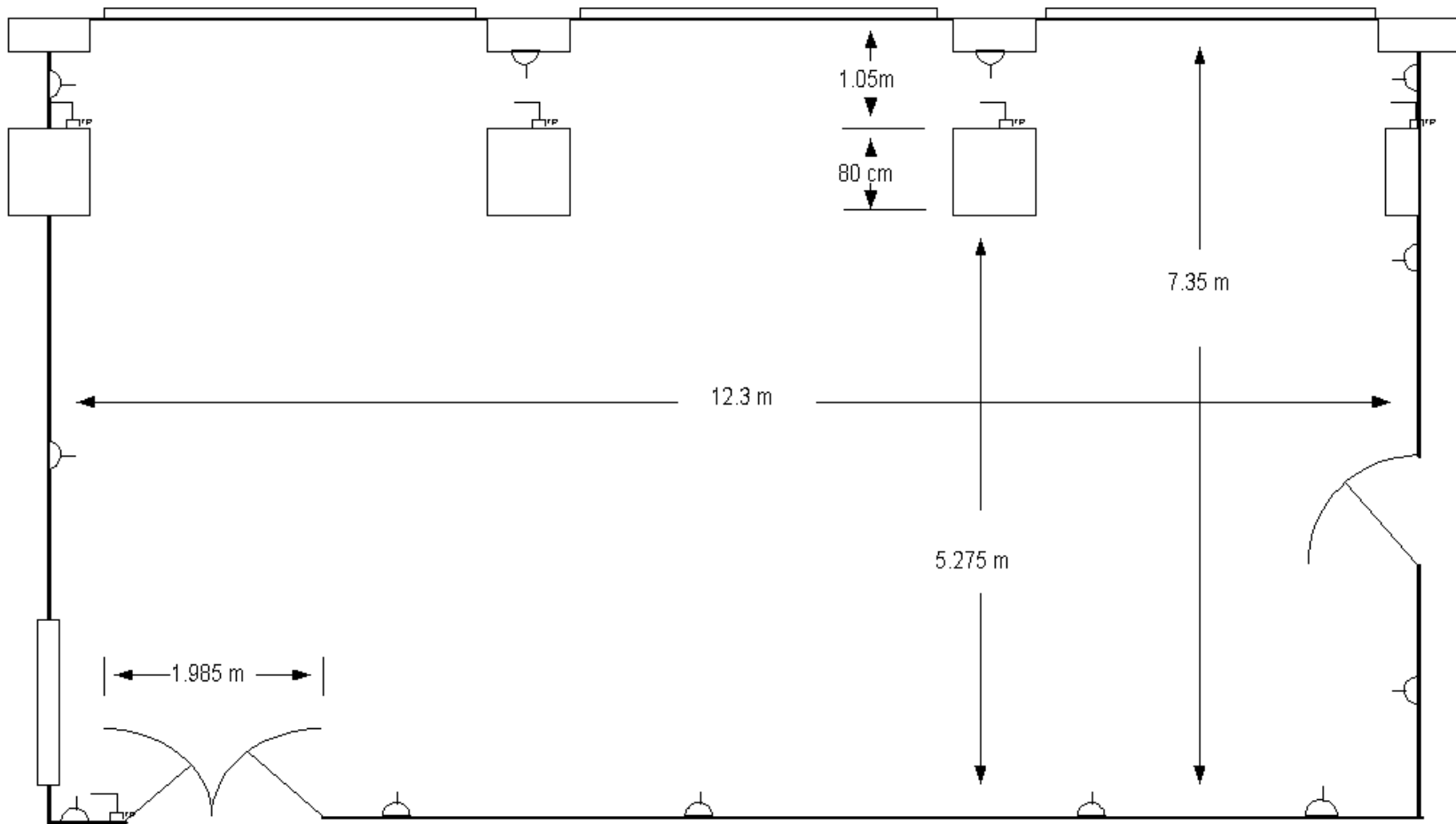
[Back to top page](#)

The Clerks Room

The Long Room - Basic



Note:
13A Double sockets 12
PC Network Link 1



[Back to top page](#)

The Gallery