

## Room Technical Specifications

### Room Capacities (may be reduced based on layout)

Room Layout	Main Hall	Assembly Room	Old Library	Council Chamber*	Plowman Room	St Aldates Room	Panel Room	Jury Room	Judges Room	Court Room*	Barristers Room	Clerks Room	Long Room	The Gallery
General capacity	500	200	120	105	18	30	18	12	14	43	18	14	70	60
Presentations	500	200	120	105	30	40	30	12	20	43	18	14	70	
Wedding ceremony	500	160	100		30	40					30			
Seated meals	300	140	100											
Dinner dances	280	90												
Balcony*	242									50				

\*Fixed seating

### Lighting, Sound and Power

Lighting controls in the room	No	No	Yes	No	Yes	Yes	Yes	Yes	Yes	Yes	Yes	Yes	Yes	Yes
Lighting dimmer	Yes	Yes	No	No	No	No	No	No	No	No	No	No	No	Yes
Windows	Yes	Yes	Yes	Yes	Yes	Yes	Yes	Yes	Yes	Yes	Yes	Yes	Yes	Yes
Sound System	Yes	Yes	Yes	Yes	No	Yes	No	No	No	No	No	No	Yes	No
No. 13 amp outlets	18	18	40	3	4	2	2	1	5	7	12	12	24	21
3 Phase available (63 amp)	Yes													
Internet Connection					Yes						Yes		Yes <sup>(Wireless)</sup>	Yes <sup>(Wireless)</sup>

### Room dimensions

Links to pages below

[Main Hall](#)  
 [Assembly Room](#)  
 [Old Library](#)  
 [Council Chamber](#)  
 [Plowman Room](#)  
 [St Aldates Room](#)  
 [Panel Room](#)  
 [Jury Room](#)  
 [Judges Room](#)  
 [Court Room](#)  
 [Barristers Room](#)  
 [Clerks Room](#)  
 [Long Room](#)  
 [The Gallery](#)

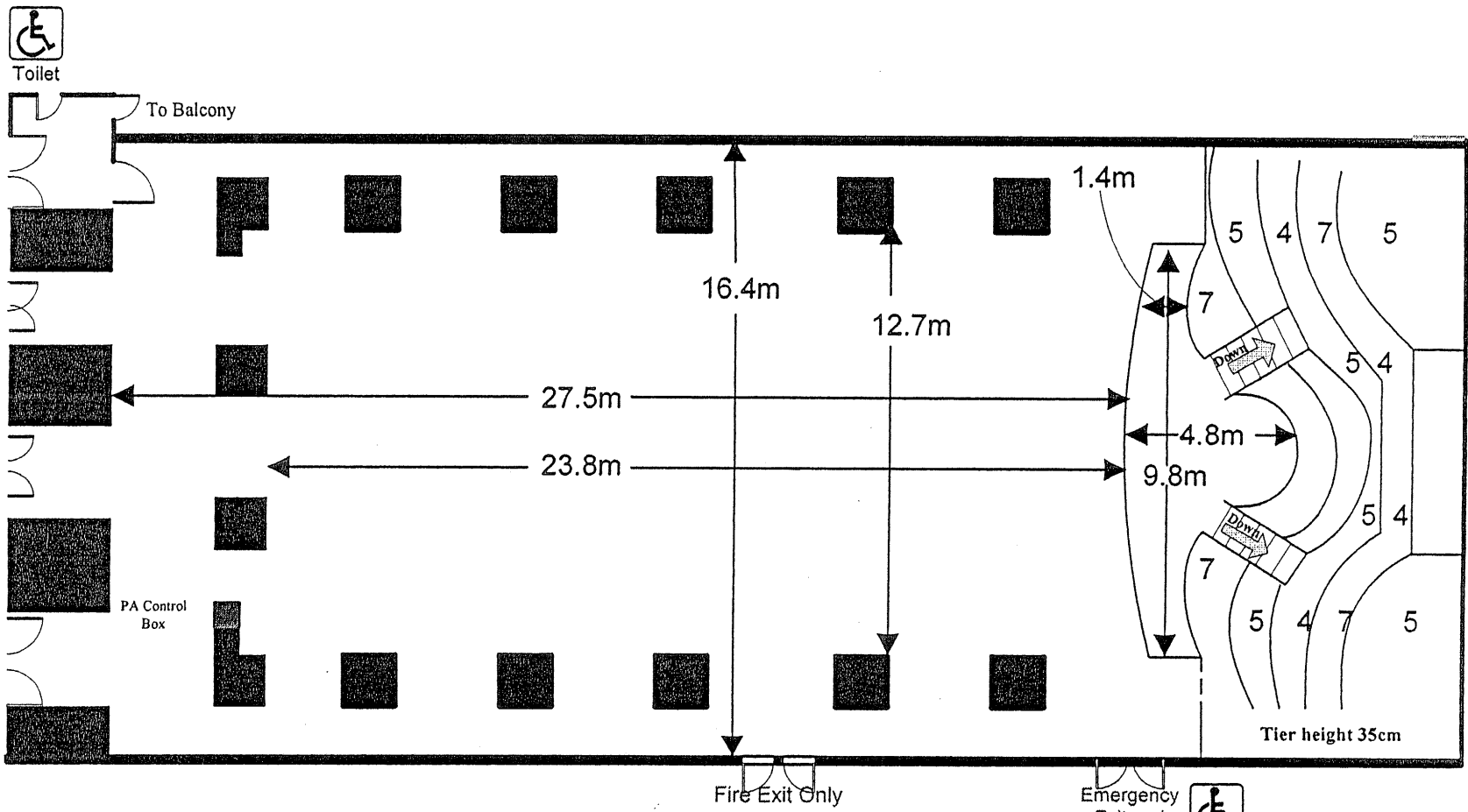
### Door

Width m	1.55	1.4	1.4	1.55	0.83	1.1	1.03	0.85	0.97	0.85	0.85	0.72	1.5	2.3
Height m	2.4	2.29	2.29	2.4	2.03	2.07	2.29	1.89	1.89	1.89	1.89	1.89	1.98	1.8

### Access

All rooms are accessible to persons with mobility difficulties via the Town Hall north entrance and lift. (Lift width 0.8m).

The Jury, Judges, Court, Barristers & Clerks Rooms can be accessed by a chair lift in a corridor.



**Room Information:**



Good Access



Toilet facilities



Public address and loop system available by prior arrangement



01865 252054 This service available by prior arrangement



13 amp Power points located on each pillar and on stage



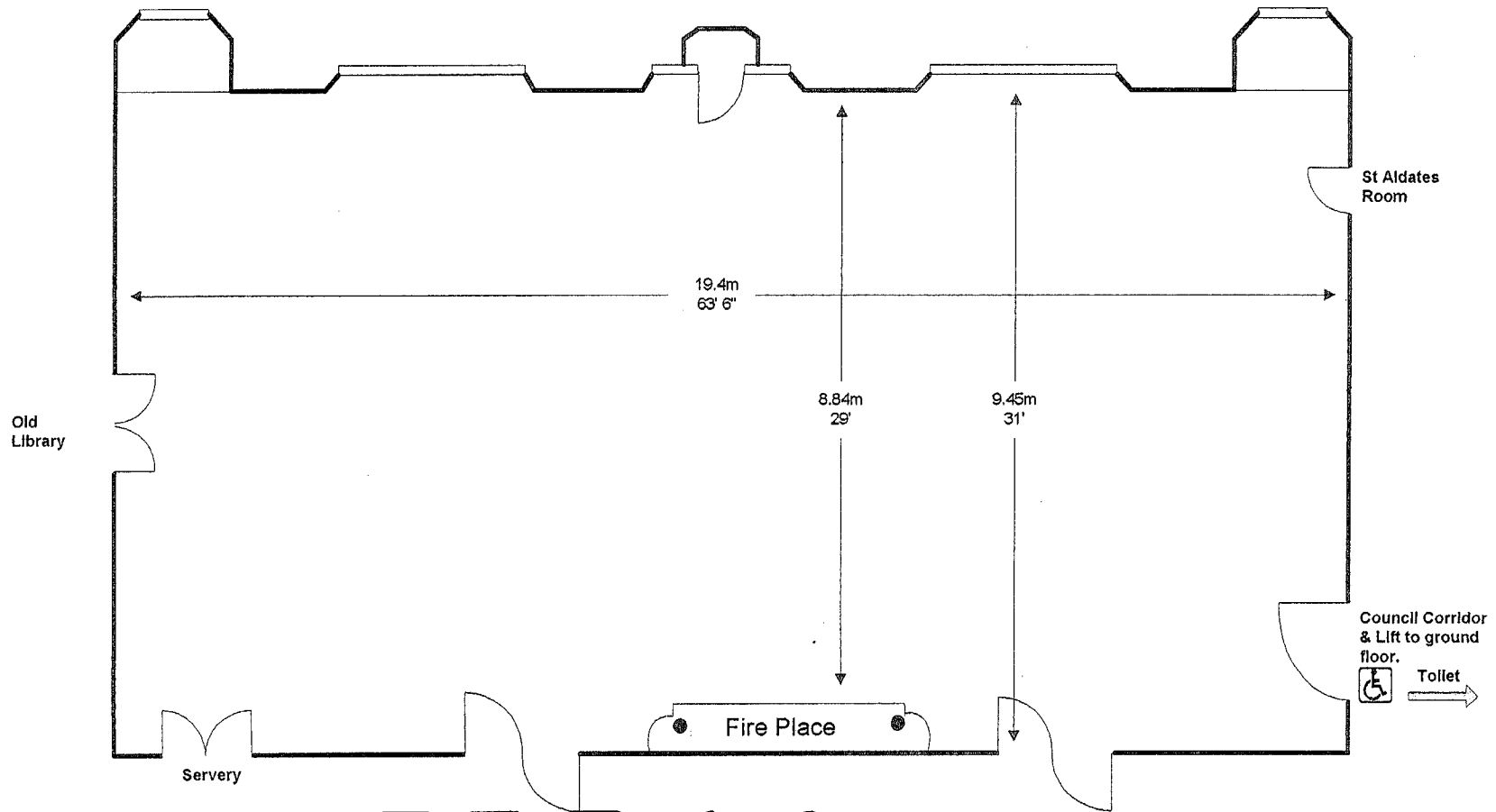
Two 3KVA power points available by prior arrangement

Emergency Exit and Refuge only



[Back to top page](#)

The Main Hall



**Room Information:**



Good Access



Max permitted under PEL 2



01865 252205  
This service available by prior arrangement

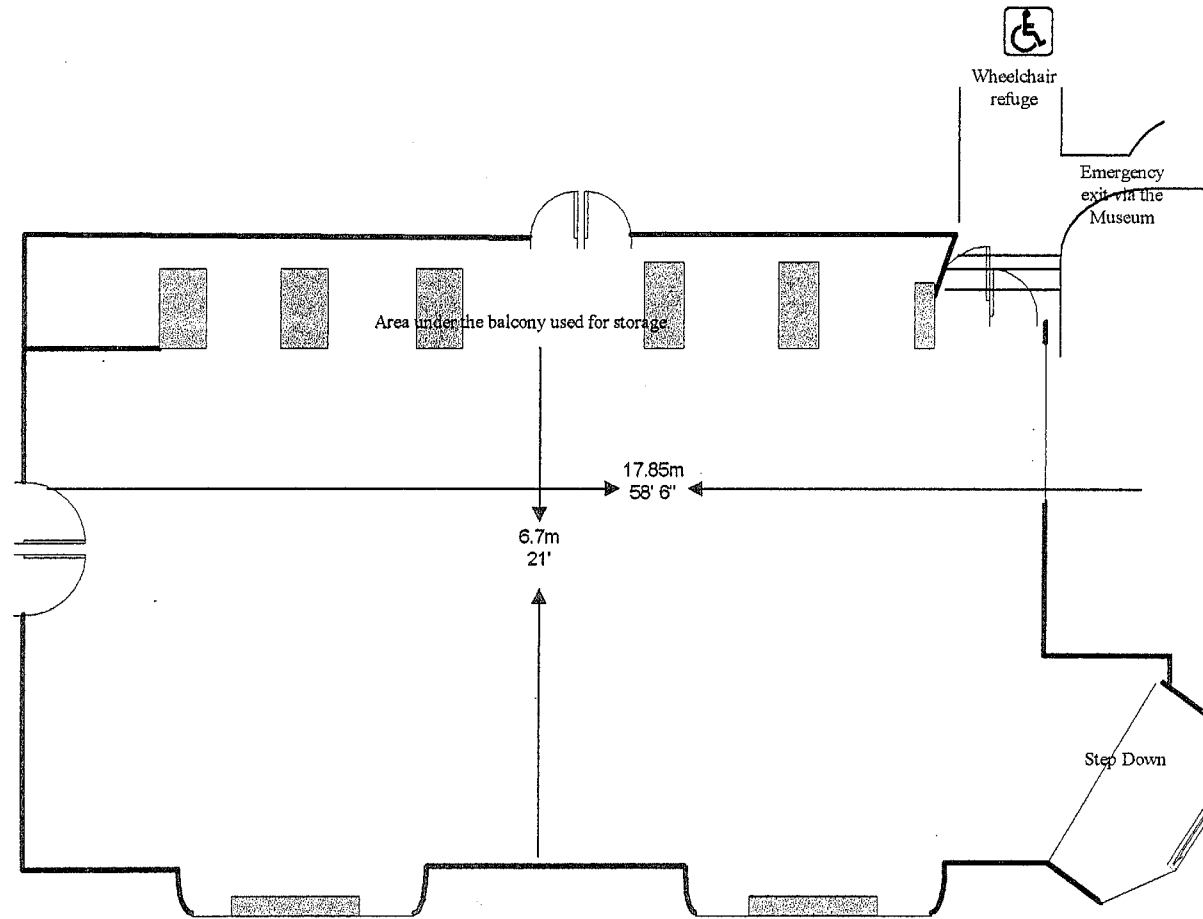


Public address and loop system available by prior arrangement



The Assembly Room

[Back to top page](#)



Room Information:



Good Access



01865  
252635



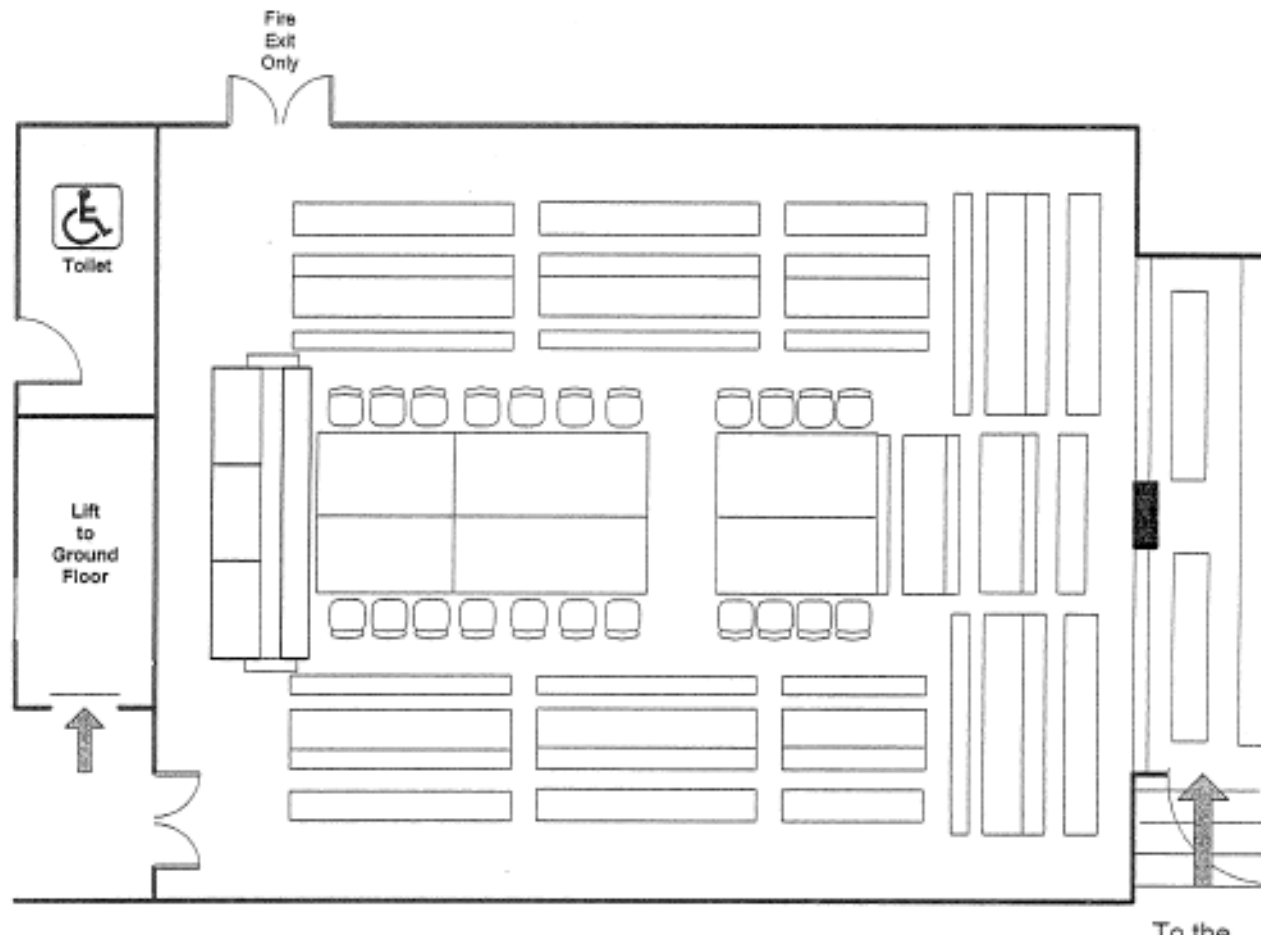
40 floor  
mounted 13  
amp power  
outlets



Voice  
enhancement  
and loop  
system  
available by  
prior  
arrangement.

[Back to top page](#)

The Old Library



**Room Information:**



Access is Restricted due to fixed seating



No Catering in the Council Chamber



No access to the public gallery enhancement from the Chamber



No access to the public gallery enhancement from the Chamber



Voice enhancement and loop system

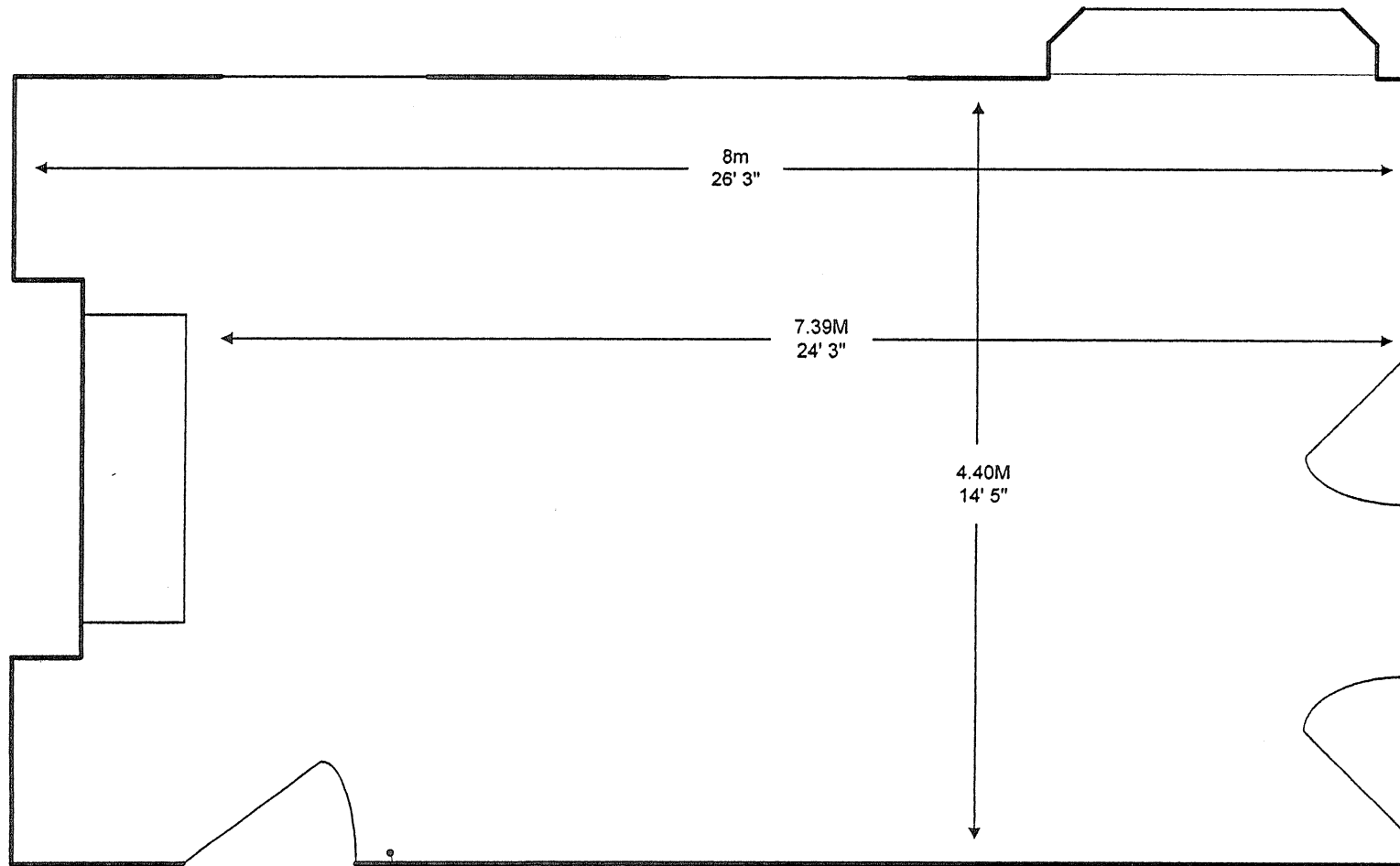


01885 252583

To the Public Gallery

[Back to top page](#)

The Council Chamber



Room  
Information

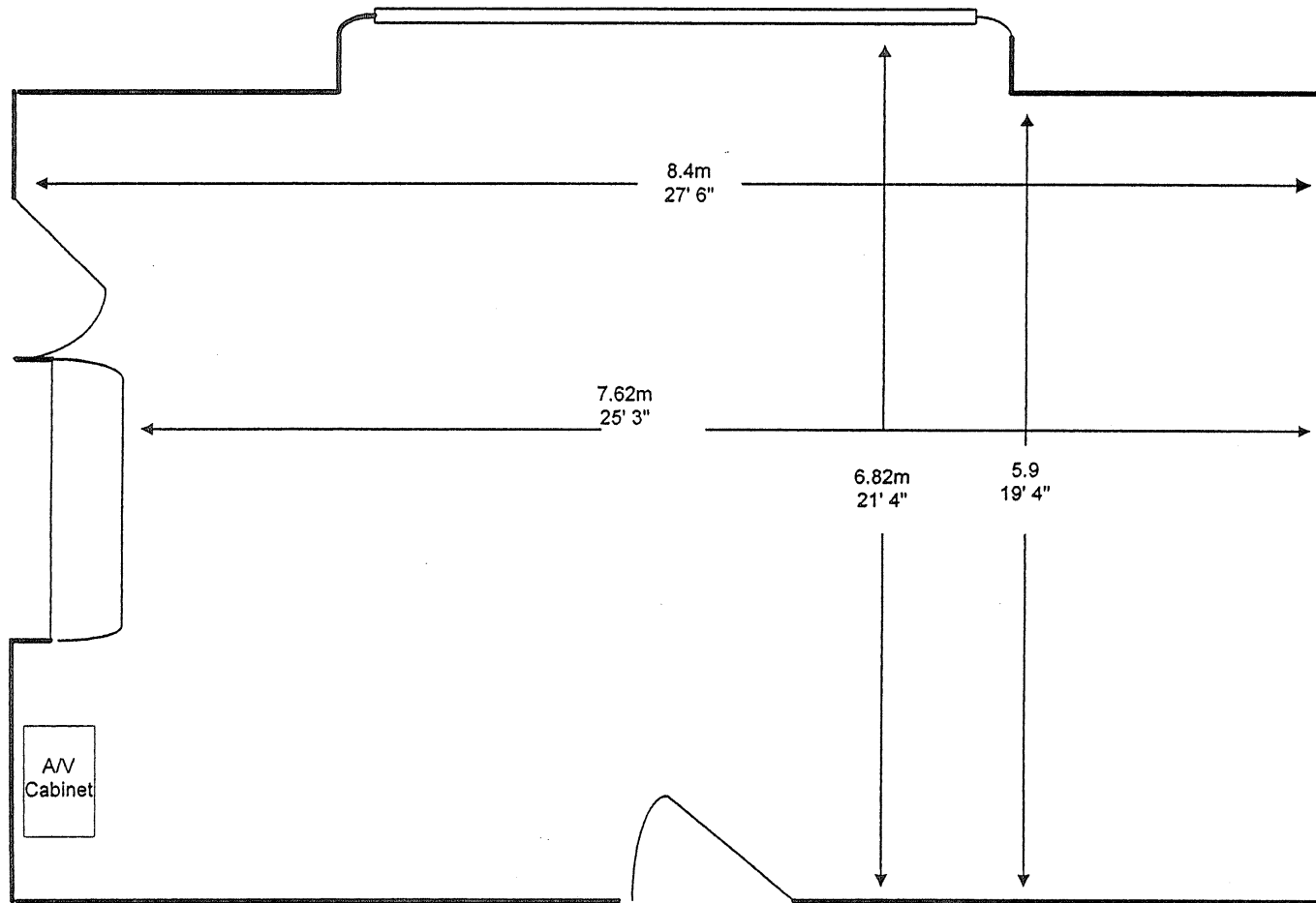


Accessible

Oxford  
(01865)  
252584

[Back to top page](#)

The Plowman Room



**Room Information:**



Easy access from lift opposite room



Toilet opposite room



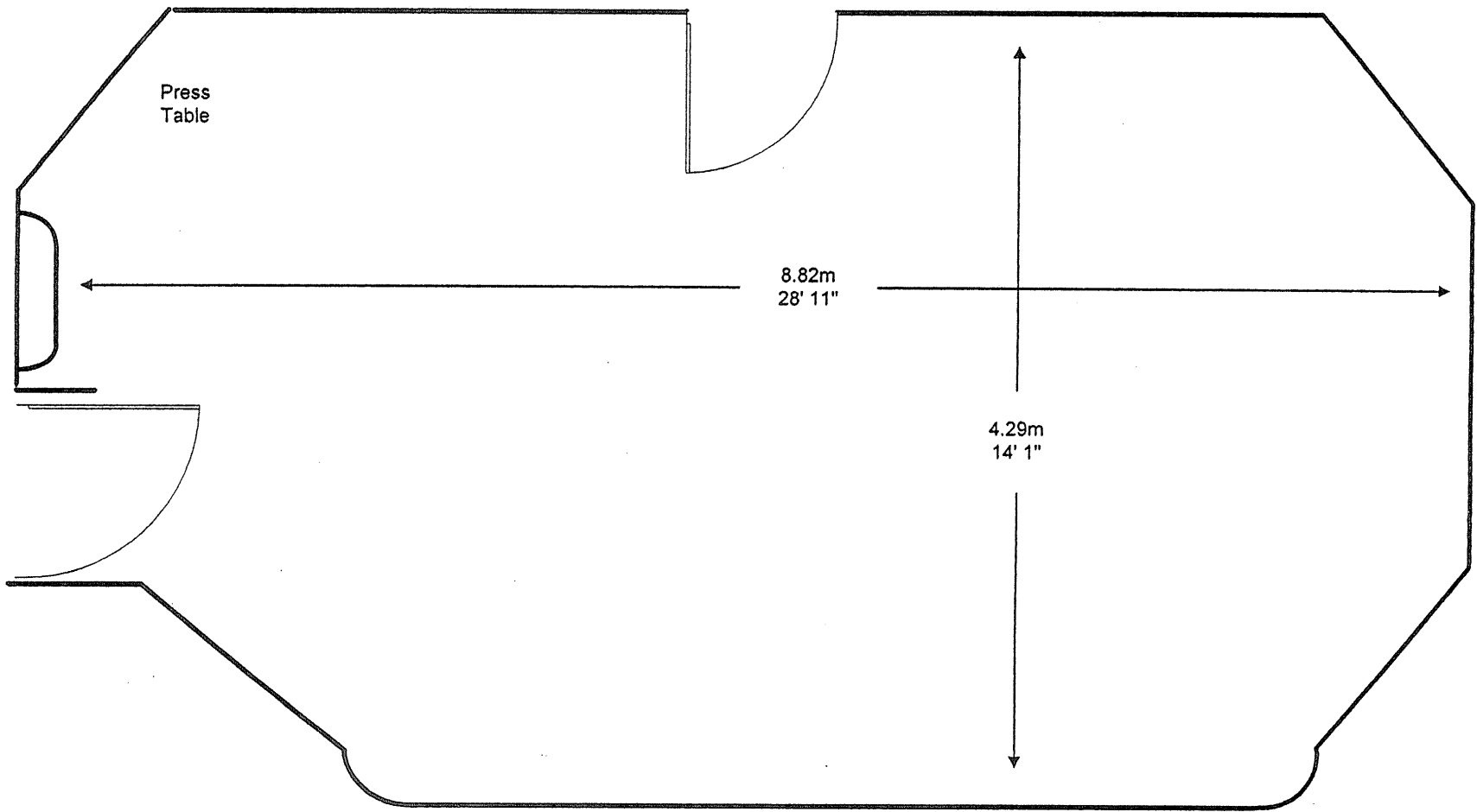
Conference and loop system available by prior arrangement



01865 252210

[Back to top page](#)

The St Aldates Room



Room Information:



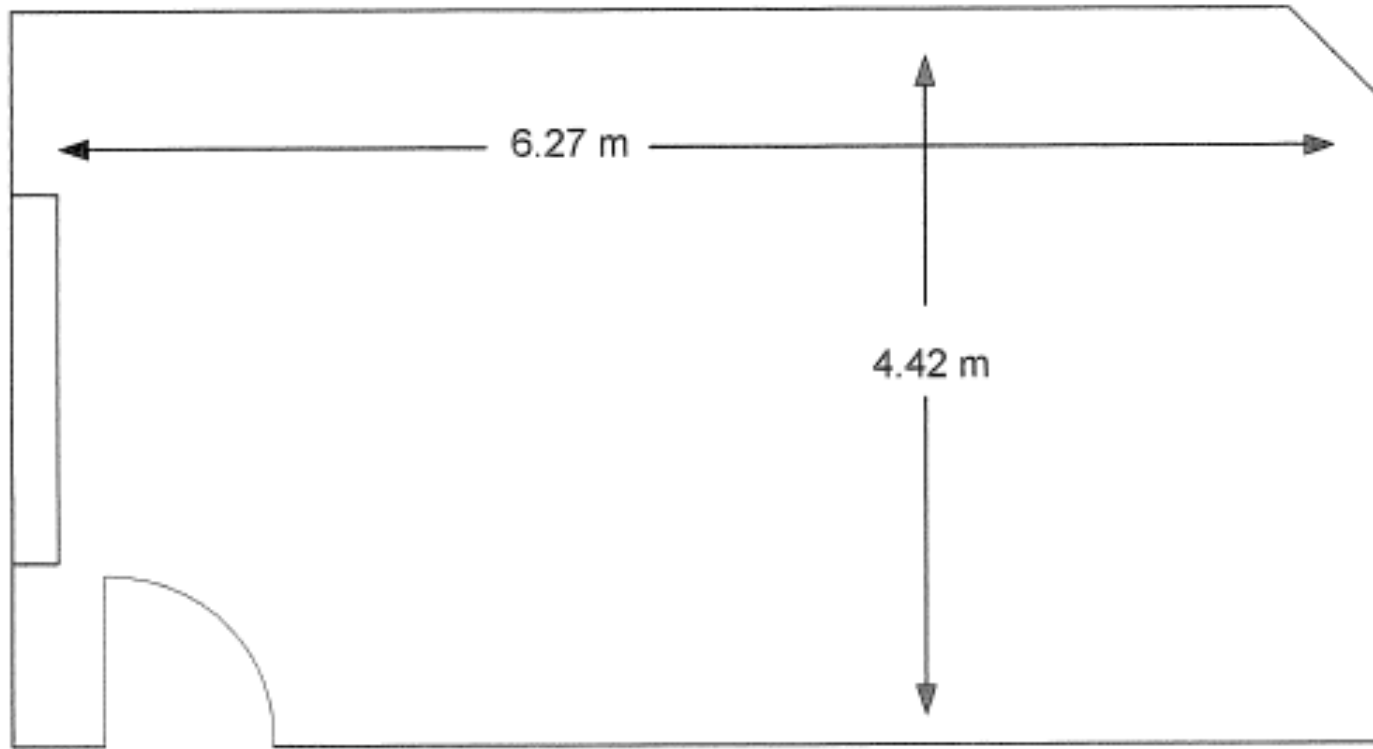
Accessible



01865  
252206

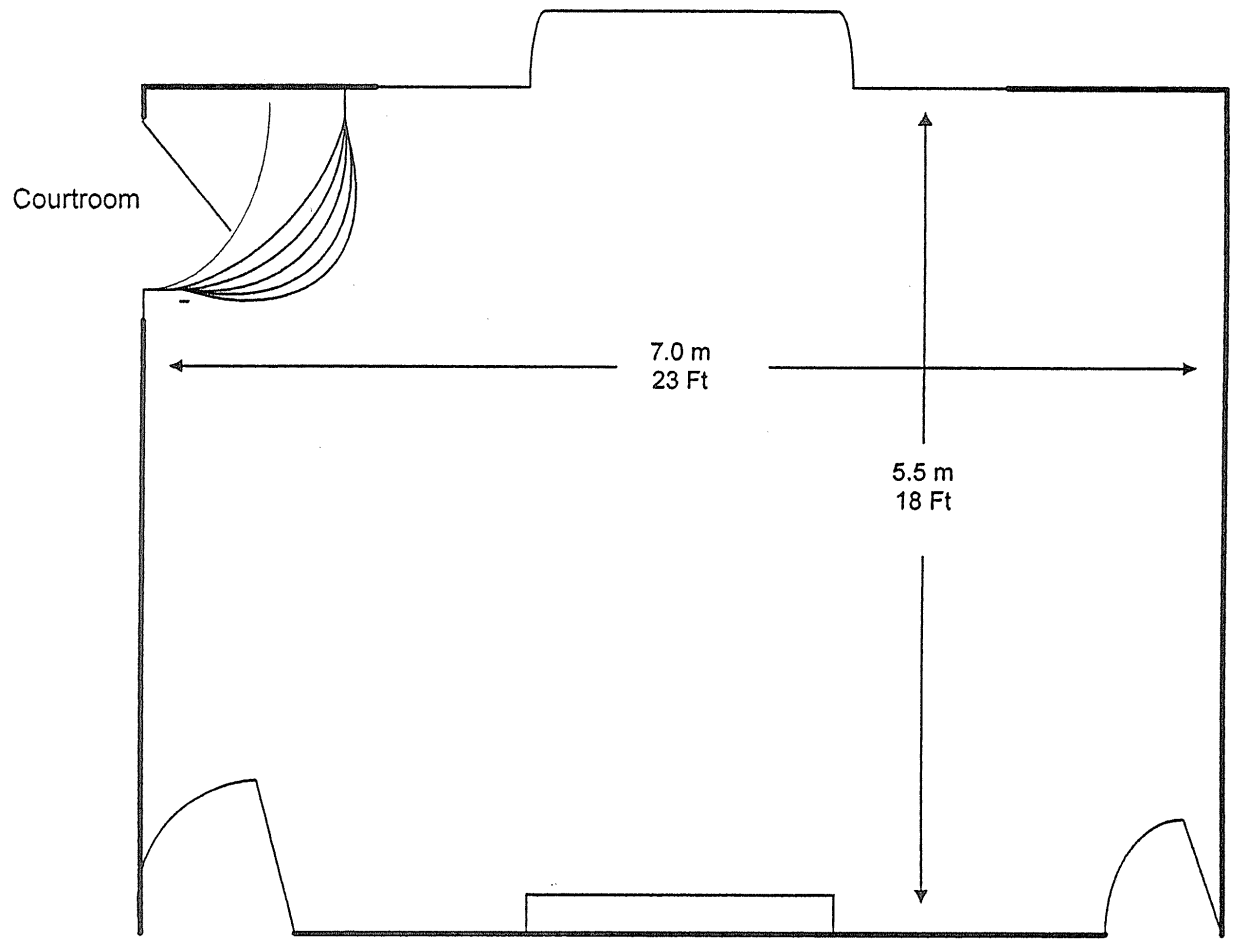
[Back to top page](#)

The Panel Room



[Back to top page](#)

The Jury Room



Room  
Information



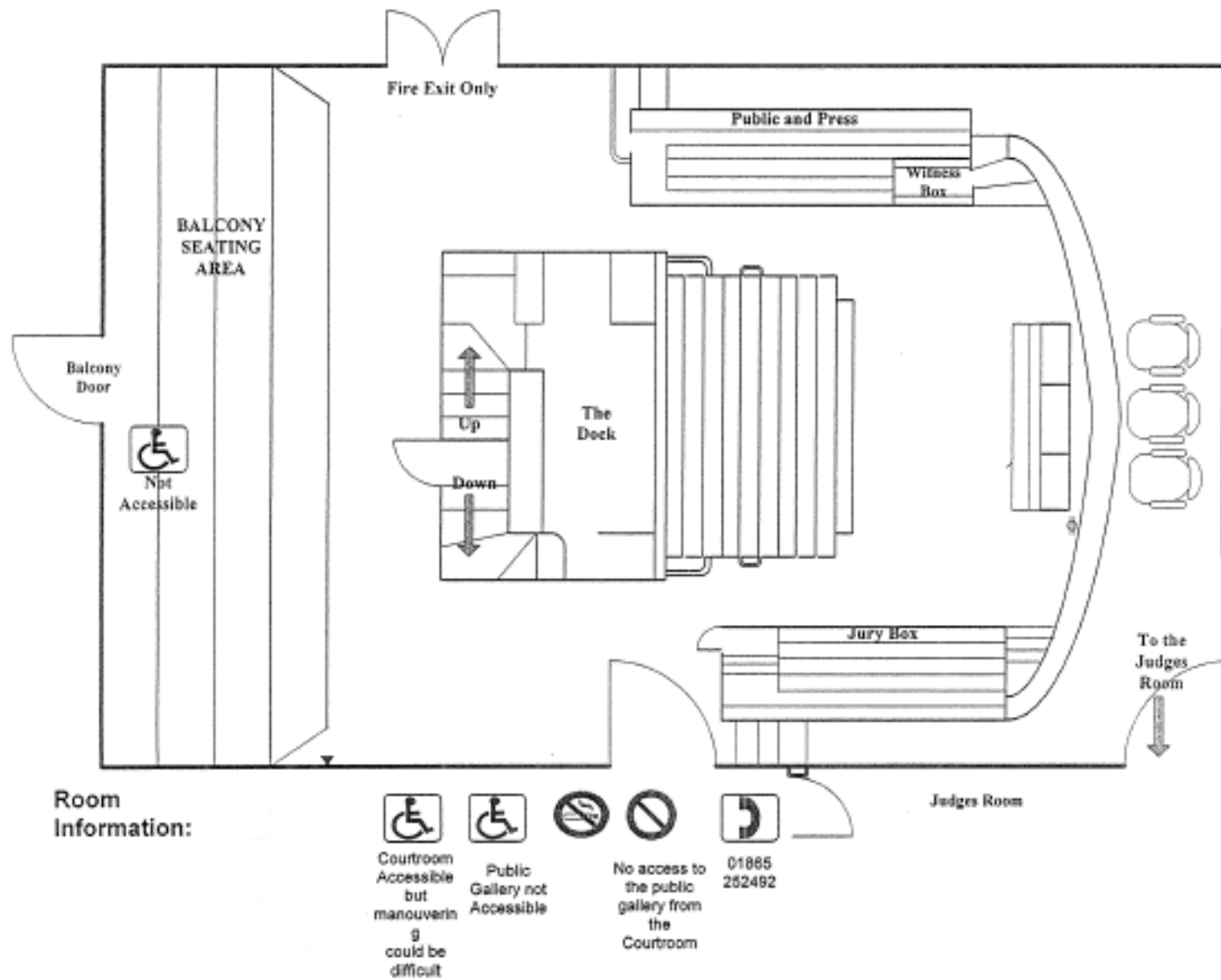
Accessible  
via a  
wheelchair lift.  
Staff  
assistance  
necessary

Oxford  
(01865)  
252599

Store  
Room

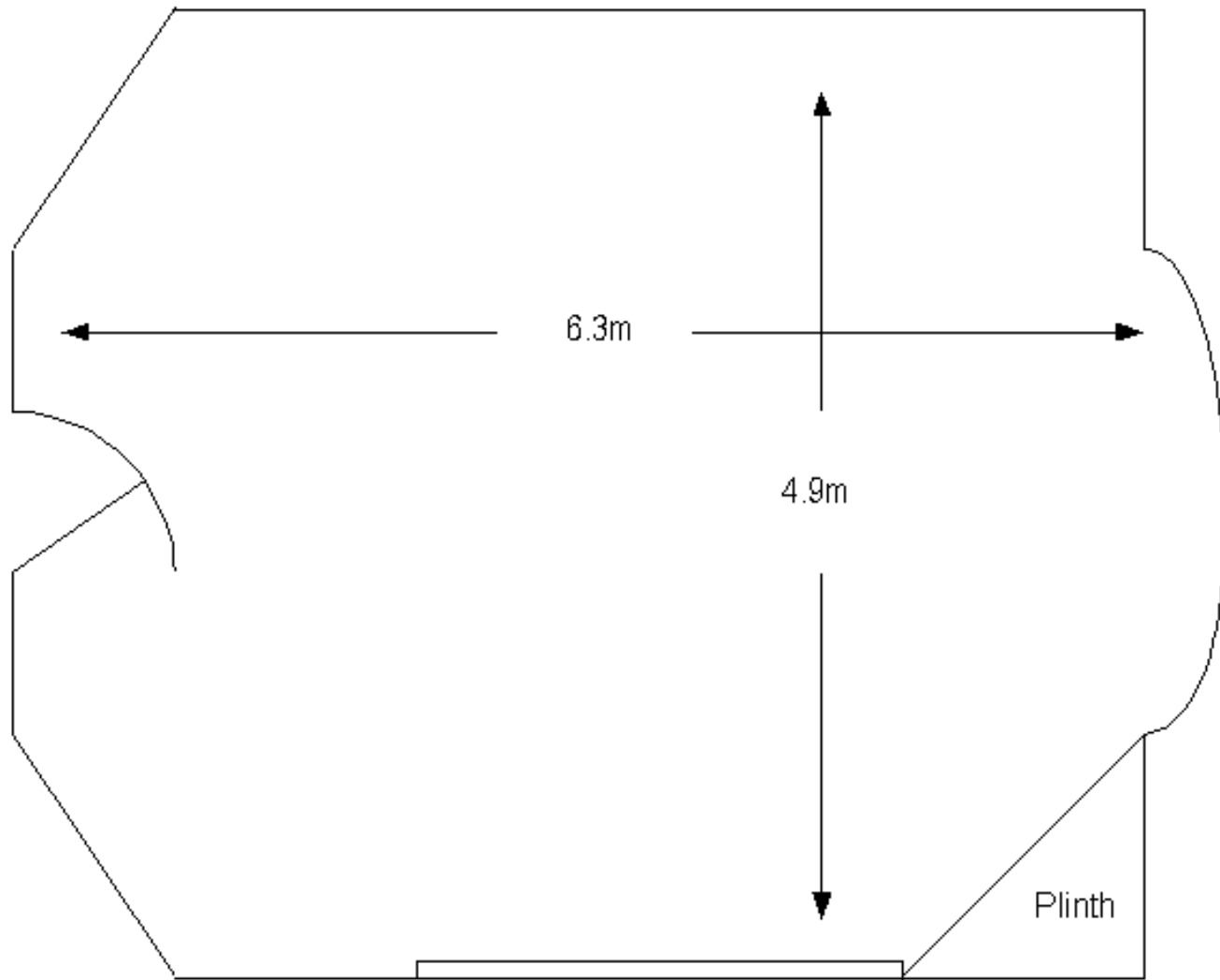
[Back to top page](#)

The Judges Room



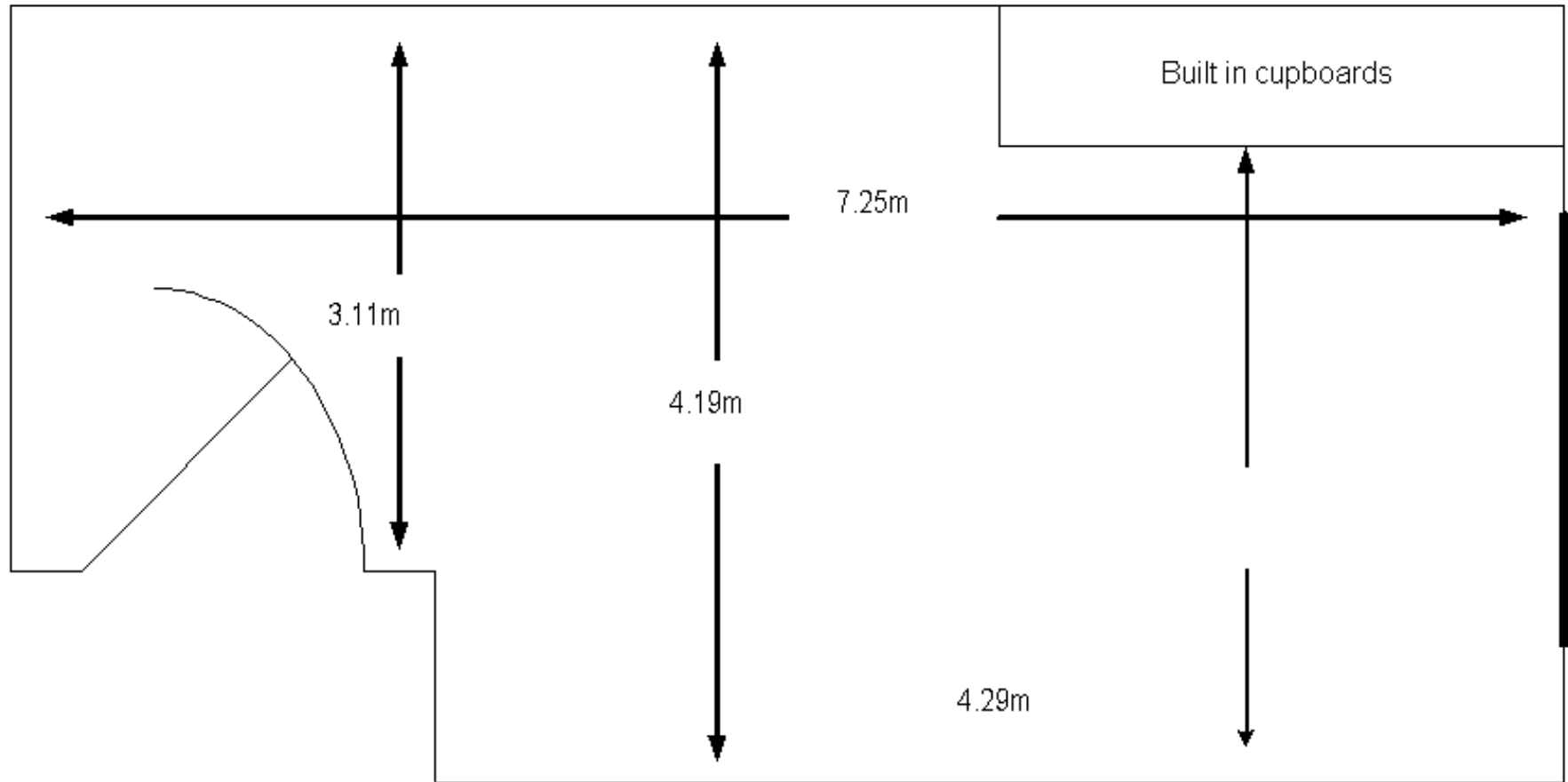
[Back to top page](#)

The Court Room



[Back to top page](#)

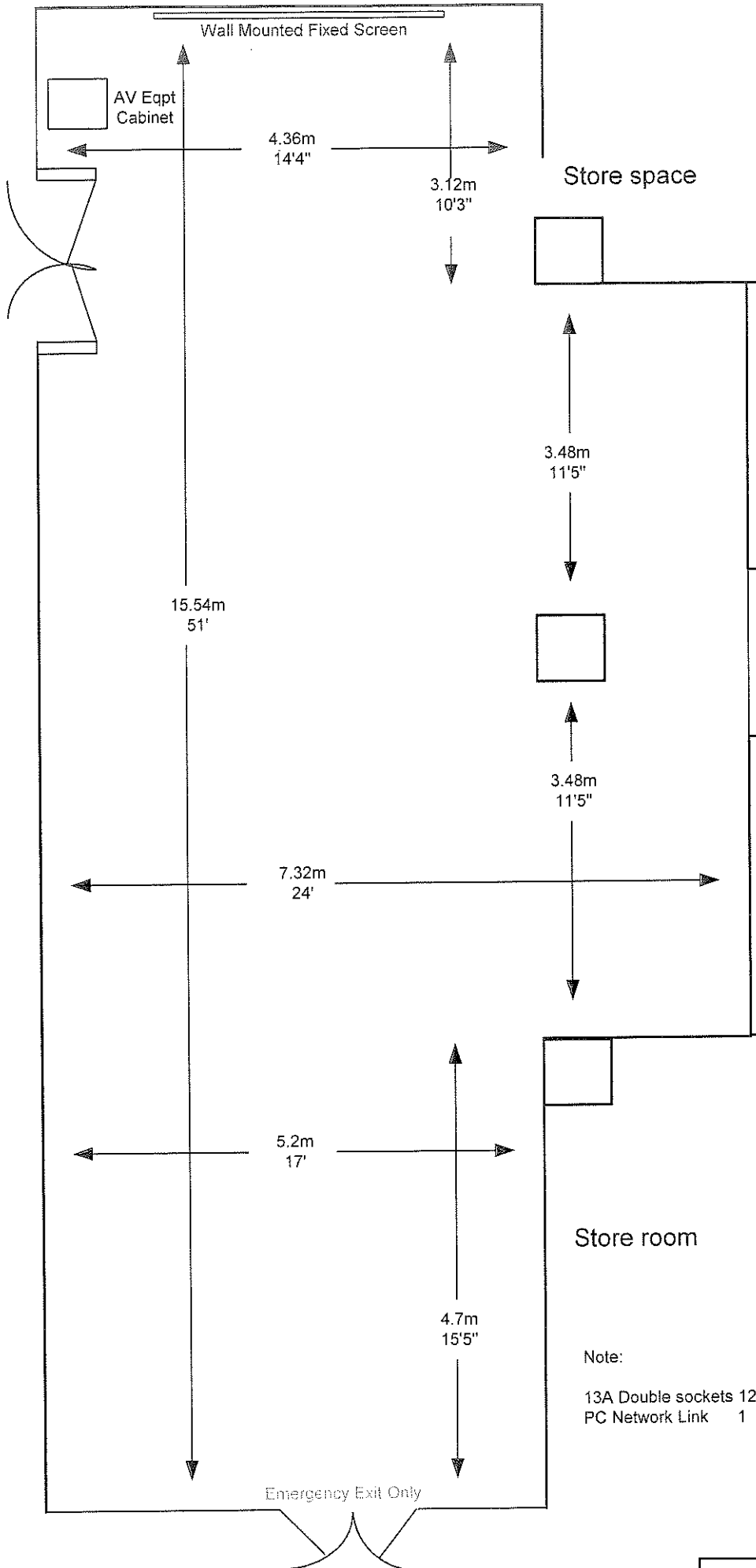
The Barristers Room



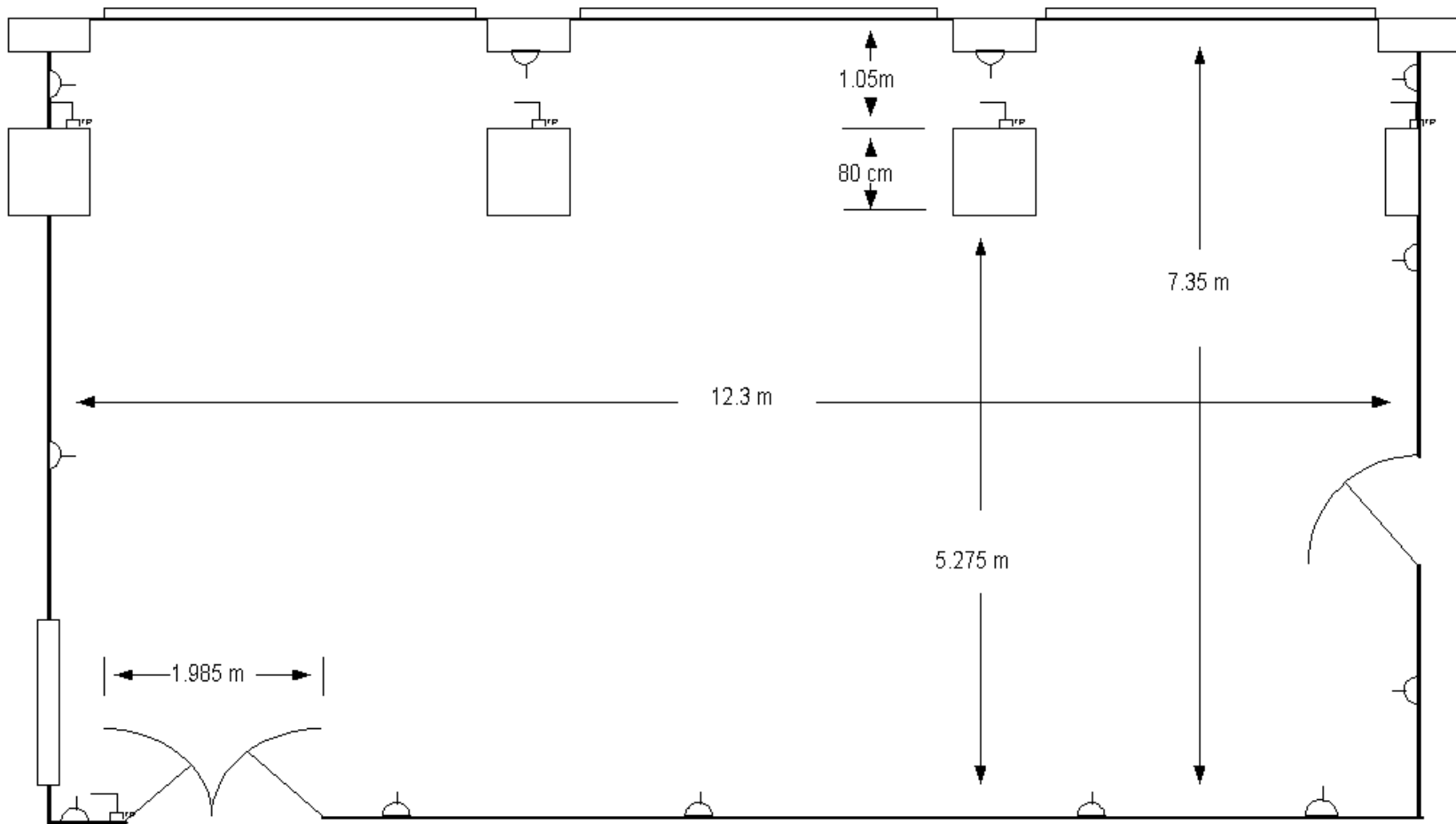
[Back to top page](#)

The Clerks Room

# The Long Room - Basic



Note:  
13A Double sockets 12  
PC Network Link 1



[Back to top page](#)

The Gallery